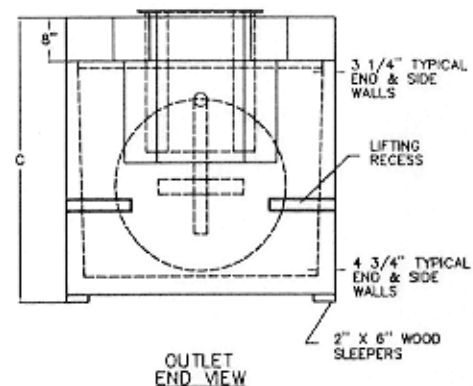
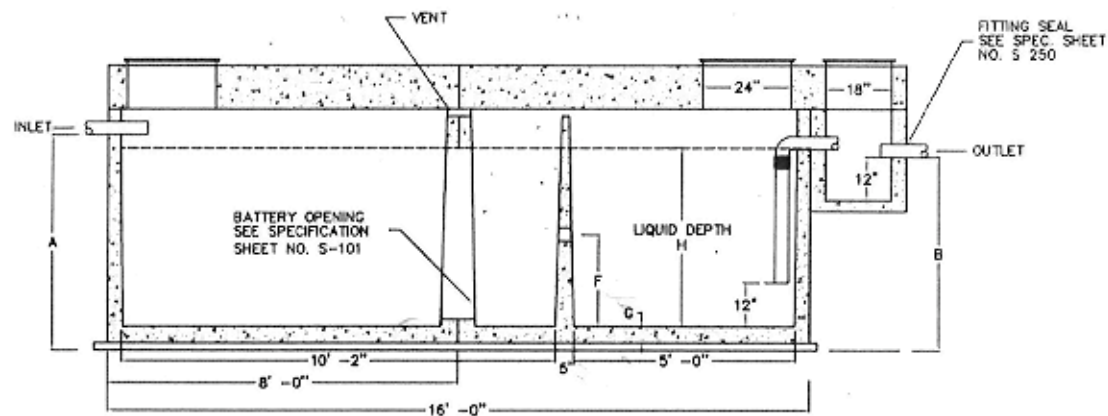


NOTE:

1. REFER TO SPECIFICATION SHEET NO. S-224
2. REFER TO SPECIFICATION SHEET NO. S-252
3. REFER TO SPECIFICATION SHEET NO. S-251



SECTION A - A

TWO COMPARTMENT SAND & GREASE INTERCEPTOR WITH SAMPLE BOX DESIGNED FOR DIRECT H-20 LOADING OF TANK SURFACE 2000 THRU 3000 GALLON

ALL DIMENSIONS IN INCHES								
MODEL	A	B	C	D	E	F	G	H
PC SG-2000	50	48	65	74	74	20 3/4	4 1/2	41 1/2
PC SG-2500	59	57	74	74	74	25 1/4	4 1/2	50 1/2
PC SG-3000	62 1/2	60 1/2	77 1/2	85	85	26 3/4	5	53 1/2

EXCAVATION SPECIFICATIONS			
MODEL	SG-2000	SG-2500	SG-3000
LENGTH	23'-0"	23'-0"	23'-0"
WIDTH	10'-0"	10'-0"	11'-0"
BELOW INLET	4'-2"	4'-11"	5'-2 1/2"
TANK HEIGHT	5'-5"	6'-2"	6'-5 1/2"



P.O. BOX 602
HIGHLAND, CA 92346
909 793-7602 800 945-8265
Fax: 909 793-1283

DATE: 10-1-01	DRAWN BY: B. BRAKE	SCALE: 1" = 1'	CWC # B080
------------------	-----------------------	-------------------	---------------