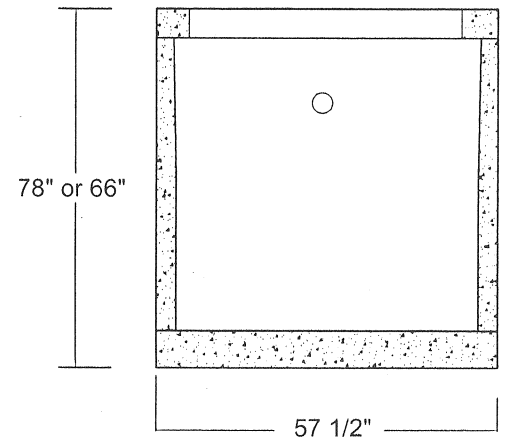


SIDE VIEW



INLET VIEW

500 GALLON LINT INTERCEPTOR  
 28 SQUARE FOOT LINT FILTERING  
 DESIGNED FOR NON-TRAFFIC AREAS

**Pro-Cast**  
 PRODUCTS INC.

P.O. BOX 602  
 HIGHLAND, CA 92346  
 909 793-7602 800 945-8265  
 Fax: 909 793-1283

DATE: 10-01-02	DRAWN BY: B. BRAKE	SCALE: 1" = 1'	DWG # 1146-D1
-------------------	-----------------------	-------------------	------------------