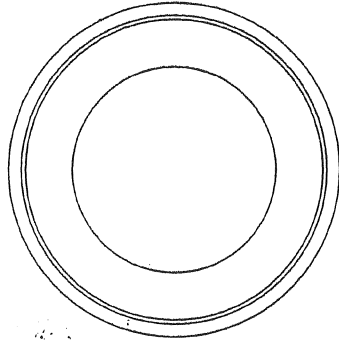
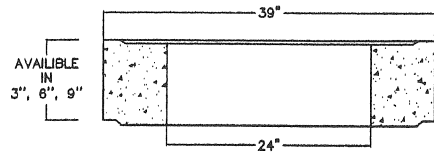


MANHOLE COLLAR



PLAN VIEW

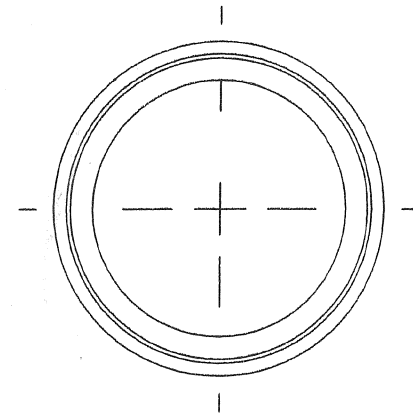


COLLAR SECTION

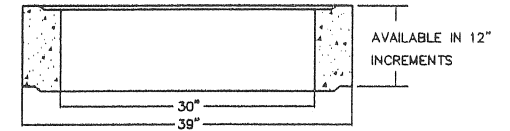


SIX INCH GRADE ADJUSTING COLLAR

MANHOLE RING



PLAN VIEW



SECTION

NOTES:

1. CONCRETE TYPE II PORTLAND ASTM C 260-86 SIX SACK READY MIX, MINIMUM COMPRESSIVE STRENGTH 3,000 PSI AT 28 DAYS.
2. REINFORCING BAR ASTM A 615, GRADE 40. REINFORCING BAR NO. 3 BAR SIZE.
3. MANHOLE RING AND COLLAR SECTIONS LOCKED TOGETHER WITH 1/2" DEEP SEALABLE LOCKING DEPRESSION.

TYPE ONE MANHOLE EXTENSION
MANHOLE RING
AND MANHOLE COLLAR
DESIGNED FOR H-20 LOADING



P.O. BOX 602
HIGHLAND, CA 92346
909 793-7602 800 945-8265
Fax: 909 793-1283

DATE: 12-6-99	DRAWN BY: B. BRAKE	SCALE: 1" = 1'	DWG # 1103A
------------------	-----------------------	-------------------	----------------